

## SWV Rotary Couplings In-line

### INTRODUCTION

Holmbury has presented a new addition to its range, Rotary Couplings. Manufactured in both in-line and 90° configurations.

### APPLICATIONS

Our Rotary Couplings are used to protect hydraulic lines that are subjected to torsional forces or rotational motion.

### CONSTRUCTION

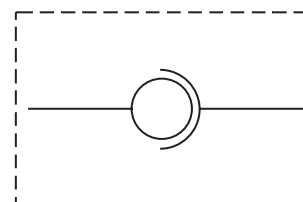
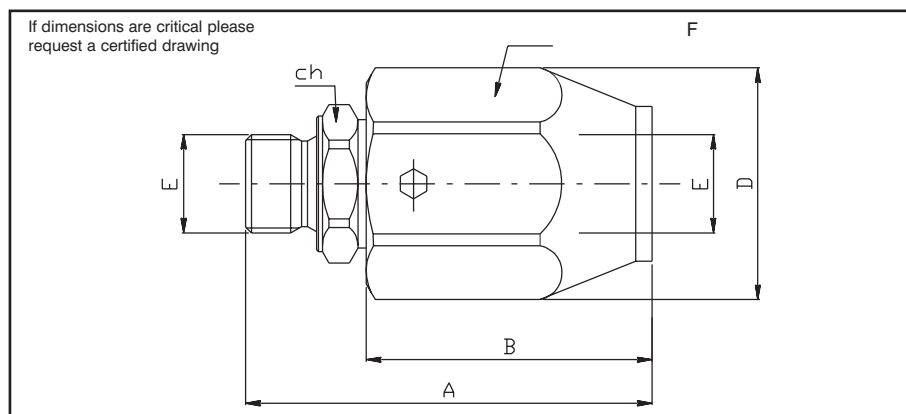
The spindle is carried on a roller bearing and has a low friction shaft seal that can rotate at maximum pressure with low torque.

Zinc plated, hardened steel body. Available in BSPP.



### RATINGS

Size		04	06	08	12	16	20	24	32
Max Flow	l/min	25	45	80	120	150	200	250	300
Max Pressure	bar	400	400	360	310	280	250	210	180
Max Rotary Speed	rev/min	500	400	370	280	230	200	170	140



### DIMENSIONS

Size	A	B	D	E BSP		F	CH	W Weight kg
04	62	42	33	1/4"		CH 30	19	0.21
06	65	44	37	3/8"		CH 34	24	0.27
08	74	50	40	1/2"		CH 36	27	0.33
12	80	50	49	3/4"		CH 45	34	0.54
16	90	57	60	1"		Ø 60	41	1.03
20	98	63	60	1 1/4"		Ø 60	50	1.14
24	108	70	70	1 1/2"		Ø 70	55	1.68
32	115	76	85	2"		Ø 85	65	2.52

## SWV 90°

### CONSTRUCTION

The spindle is carried on a roller bearing and has a low friction shaft seal that can rotate at maximum pressure with low torque.

### MATERIALS

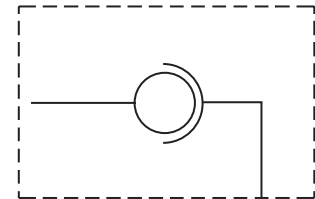
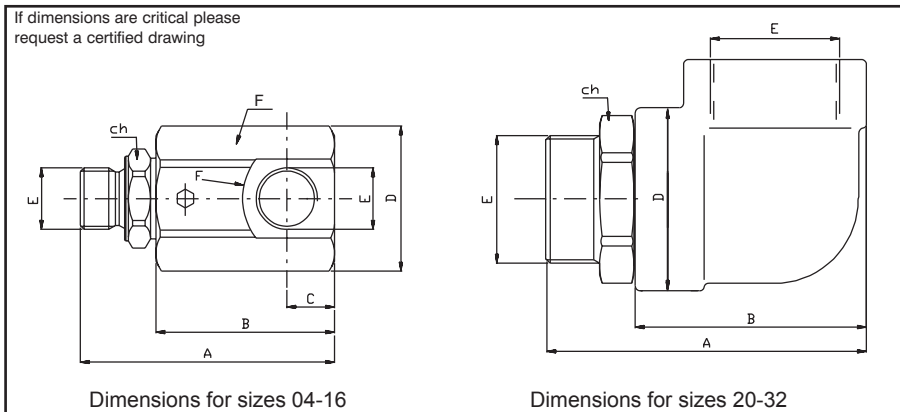
Zinc plated, hardened steel body.  
Available in BSPP.



### RATINGS

Size		04	06	08	12	16	20	24	32
Max Flow	l/min	25	45	80	120	150	200	250	300
Max Pressure	bar	400	400	360	310	280	250	210	180
Max Rotary Speed	rev/min	500	400	370	280	230	200	170	140

If dimensions are critical please request a certified drawing



### DIMENSIONS

Size	A	B	C	D	E BSP	F	CH	W Weight kg
04	71	50	11	33	1/4"	CH 30	19	0.21
06	77	56	15	38	3/8"	CH 34	24	0.27
08	86	63	17	43	1/2"	CH 38	27	0.33
12	100	70	20	56	3/4"	CH 50	34	0.54
16	113		23	60	1"	Ø 60	41	1.03
20	118	83	32	63	1 1/4"		50	1.74
24	138	100	38	79	1 1/2"		55	3.00
32	152	110	43	85	2"		65	3.76