

# CHQ SERIES

## CHECK VALVES

### INTRODUCTION

One-way valve for in-line use.  
Suitable for any type of hydraulic system using liquids that are not highly viscous. The standard types are in zinc plated carbon steel and are therefore especially suitable for non-corrosive mineral based oils and liquids.

### ALTERNATIVE USES

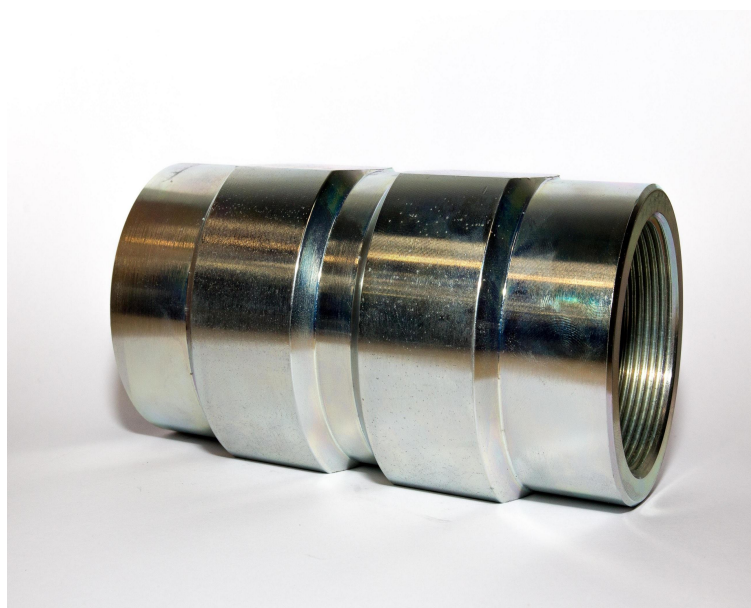
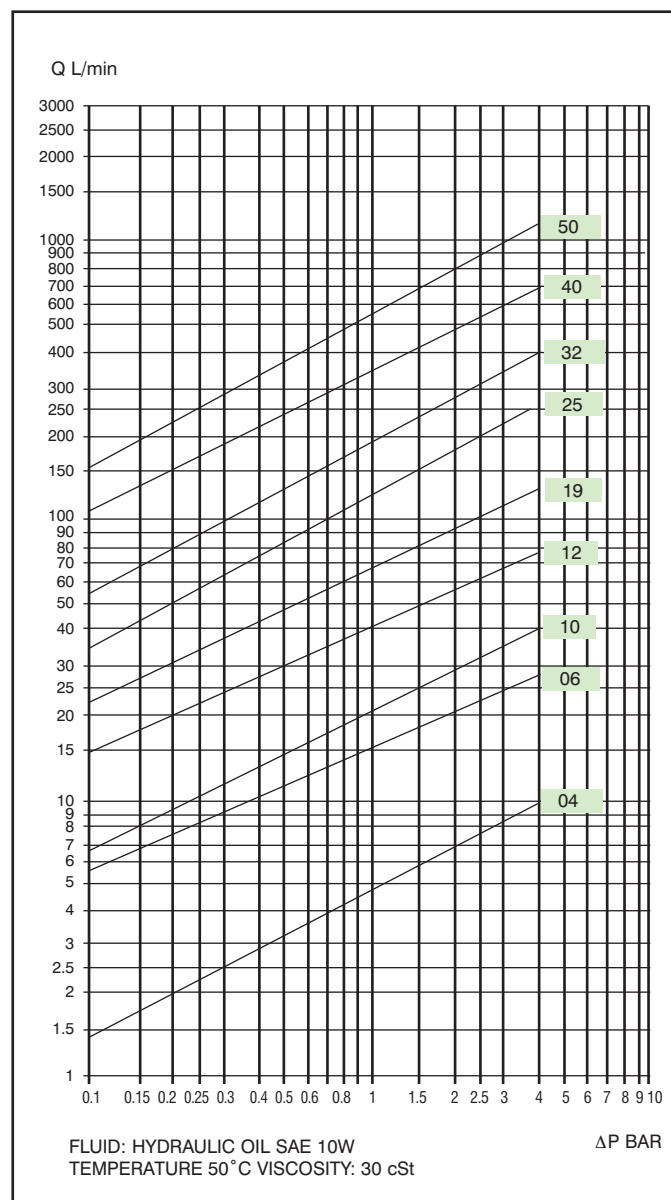
As a pressure sequence valve by changing the internal spring to an appropriate 'cracking point' value. For flow restrictor check valves a central bleed hole can be provided, sized to customer requirements.

### BENEFITS

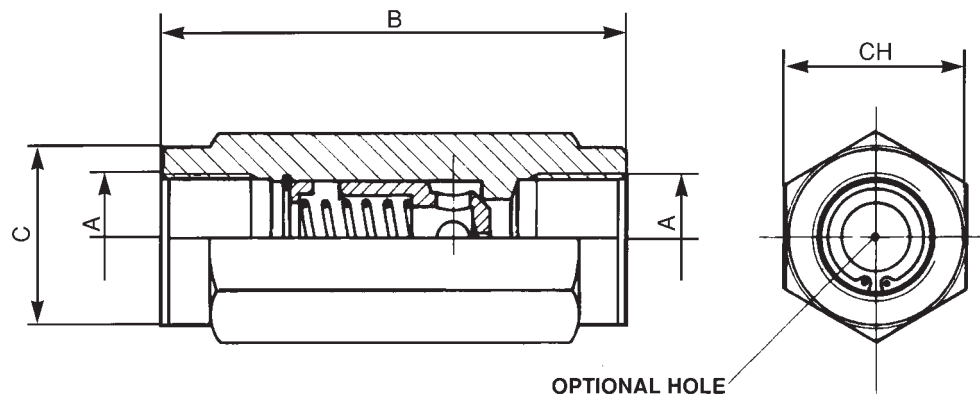
#### Standard types:

- Good pressure / flow characteristics, see graphs.
- Zinc plated carbon steel body.
- Carbon steel piston.
- Silicon steel internal spring - stabilized.
- Cracking pressure 0.35 bar and 4.5 bar are standard

### PRESSURE DROP FLOW CHART



## CHQ SERIES, CHECK VALVES



Dimensions in mm (except A)

### DIMENSIONS AND PRESSURE RATINGS

Body Size	Nominal Diameter	Maximum working pressure (bar)	A*	B	C	CH
02	5	400	1/8"	50	12.5	13
04	6.3	400	1/4"	60	18.5	19
06	10	400	3/8"	70	23.5	24
08	12	350	1/2"	77	29.5	30
12	20	350	3/4"	90	35.5	36
16	25	350	1"	106	44.5	45
20	31.5	250	1 1/4"	125	54.5	55
24	40	250	1 1/2"	140	64.5	65
32	50	250	2"	160	74.5	75

\* BSP, Other thread forms available on request. Dimensions in mm (except A).

**All dimensions shown are for guidance only, if critical contact Fluid Connectors WA Technical Department**